

MAIN FEATURES

Covering any installation requirement

Supplied factory-installed or as a simple kit

DESCRIPTION

Sunshield

Protects against solar rays and allows a reduction of internal temperature from 5° up to 10°C.

Heating

Circuit made up of a thermostatically controlled heating element PTC, (Ton 15°C±3°C (59°F±5°F) Toff 22°C±3°C (71°F±5°F)). It is available in 12Vdc/24Vac, max 20W or 115/230Vac, max 40W.

Blower

Cooling ventilator with thermostat and air filter (Ton ≤ 35°C±3°C, 95°F±5°F; Toff ≥ 20°C±3°C, 68°F±37°F). It is available in 12Vdc, 24Vac and 230Vac versions, pre-installed in the housing or as an optional kit. Blower consumption 4W max. (Not suitable in the case of using the bracket with internal cable channel).

Camera power supply

Camera feeding circuit, which can be installed inside the housing, available in different versions, 100-240Vac or 230Vac input and 24Vac or 12Vdc output.

Weatherproof junction box

External junction box, weatherproof standard IP55, allowing the housing of wiring harnesses or auxiliary cards. The model containing the camera power supply is available in the 100-240Vac input, 50/60Hz output 12Vdc, 1A max version or 230Vac input, 50/60Hz output 24Vac, 400mA max version. Supplied with 4 PG9 cable glands.

Double heating

Circuit made up of a thermostatically controlled double PTC (Ton 15°C±3°C, 59°F±5°F; Toff 22°C±3°C, 71°F±5°F) with total power of 80W max, 115/230Vac, for installations where temperatures are very rigorous. Operating temperatures down to -40°C (-40°F). Available for HEG and HEP housings.

Triple heating

Circuit made up of a thermostatically controlled triple fan-assisted PTC (Ton 15°C±3°C, 59°F±5°F; Toff 22°C±3°C, 71°F±5°F) with total power of 120W max, 115/230Vac. Operating temperatures down to -50°C (-58°F). Available for HEG housing.

Wiper

Wiper kit which can be directly installed on the housing body. It completes the support for the pump washing injector. Available in 24Vac and 230Vac versions, 7W max. Available for HEG series housing.



HEATERS



CAMERA POWER SUPPLY



WIPER FOR HEG



WEATHERPROOF JUNCTION BOX



WASHER PUMP AND TANKS

HOUSINGS ACCESSORIES

Washer and tank

Glass washing kit available with 5 or 23l (1.3 or 6gal) tank. The standard pump guarantees a delivery up to max 5m (16ft), while the version with the high delivery up to 30m (98ft). Standard pumps available in 230Vac (UPTWAS01C), 24Vac (UPTWAS02C) or 120Vac (UPTWAS03C). High delivery pumps available in 230Vac (UPTWASA01C) or 120Vac (UPTWASA03C). Available for HEG, HOV and HGV housings.

Optional board

For wiper and washer remote control of stand-alone housings, via RS485. Compatible only with UPTWAS pumps.

Fan assisted heater

It allows forced air circulation and homogeneous temperature inside the housing. Available for VERSO, VERSO COMPACT, HOV, HEB, HEA, HEK, HEM housings.

Alarm tamper switch

Alarm contact which verifies tampering of the housing. Available for VERSO and HOV housings.

Sealing rings IP66/IP67

For brackets with internal cable channel. To be used with brackets WBOVA2 and WCM4A2 for IP66/IP67 weatherproof protection.



BOARD FOR WIPER/WASHER CONTROL



FAN ASSISTED HEATER



ALARM TAMPER SWITCHER



SEALING RINGS

PACKAGE							
Code	Unit weight		Package weight		Package dimensions (WxHxL)		Master carton unit
	kg	lb	kg	lb	cm	in	
OHEGBB	0.4	0.8	0.6	1.3	17.0x35.0x13.0	6.7x13.8x5.1	16
OHEGBPS	0.8	1.7	1.0	2.2	17.0x35.0x13.0	6.7x13.8x5.1	16
VIP6A	0.7	1.5	0.9	1.9	14.5x15.0x27.0	5.7x5.9x10.6	15
VIP5WAS	3.2	7.0	3.7	8.1	31.0x23.5x31.0	12.2x9.3x12.2	-
VIP23WAS01	5.0	11.0	6.5	14.3	37.5x31.0x50.0	14.8x12.2x19.7	-
UPTWAS01C	5.0	11.0	6.5	14.3	37.5x31.0x50.0	14.8x12.2x19.7	-
VIP23WASA01	13.5	29.8	15.5	34.2	37.5x31.0x79.0	14.8x12.2x31.0	-
UPTWASA01C	13.5	29.8	15.5	34.2	37.5x31.0x79.0	14.8x12.2x31.0	-
DTWRX	0.016	0.035	-	-	8.5x5.5x11.5	3.4x2.2x4.5	-
OWBIP3	0.02	0.04	0.04	0.09	8.5x5.5x11.5	3.4x2.2x4.5	30
OWBIP2	0.02	0.04	0.04	0.09	8.5x5.5x11.5	3.4x2.2x4.5	30

TECHNICAL DATA**GENERAL****SUNSHIELD**

Extruded aluminium

Epoxy polyester powder painting, RAL9002 colour

In ABS, RAL9002 colour for HOV, VERSO, VERSO COMPACT, HGV

HEATER TON 15°C±3°C (59°F±5°F) TOFF 22°C±3°C (71°F±5°F)

IN 12Vdc/24Vac, consumption 20W max

IN 115/230Vac, consumption 40W max

BLOWER WITH THERMOSTAT AIR FILTER, TON 35°C±3°C (95°F±5°F) TOFF 20°C±3°C (71°F±5°F)

IN 12Vdc, consumption 4W max

IN 24Vac, consumption 4W max

IN 230Vac, consumption 4W max, complete with voltage transformer

Not compatible with bracket with internal cable channel.

CAMERA POWER SUPPLY

IN 100-240Vac - OUT 12Vdc, 50/60 Hz, 1A

IN 230Vac - OUT 12Vdc, 50/60Hz, 400mA

IN 230Vac - OUT 24Vac, 50/60Hz, 400mA

CAMERA POWER SUPPLY IN WEATHERPROOF BOX

IN 100-240Vac - OUT 12Vdc, 50/60 Hz, 1A

IN 230Vac - OUT 24Vac, 50/60Hz, 400mA

WEATHERPROOF JUNCTION BOX

4 PG9 cable glands

IP55

WIPER FOR HEG

Enclosure from reinforced polypropylene

Wiper blade constructed from stainless steel / aluminium

RAL9002 colour

IP66

Dimensions (WxHxL): 99x114x209mm (3.8x4.4x8.2 in) (not comprehensive of blade)

Connector 3+1 PINS

IN 230Vac, consumption 7W max

IN 24Vac, consumption 7W max

Operating temperature: -20°C / +60°C (-4°F / +140°F)

Supplied with instruction manual

WASHER PUMP AND TANK OF 5L

Polyethylene tank, stainless steel cage

Dimensions (WxHxL): 217x272x254mm (8.5x10.7x10.0in)

Tank capacity: 5l (1.3gal)

Delivery head: max 5m (16ft)

Tube length: 4m (13ft)

IN 230Vac, consumption 12W max

IN 24Vac, consumption 12W max

IP56

Supplied with instruction manual and antifreezing liquid

WASHER PUMP AND TANK OF 23L

Polyethylene tank, stainless steel cage

Dimensions (WxHxL): 301x410x347,5mm (11.8x16x13.7in)

Tank capacity: 23l (6gal)

Delivery head: max 5m (16ft)

Tube length: 4m (13ft)

IN 230Vac, consumption 12W max

IN 24Vac, consumption 12W max

IP56

Supplied with instruction manual and antifreezing liquid

WASHER PUMP AND TANK OF 23L WITH HIGH DELIVERY UP TO 30M

Polyethylene tank, stainless steel cage

Dimensions (WxHxL): 301x635x269mm (11.8x25x10.6in)

Tank capacity: 23l (6gal)

Delivery head: max 30m (98ft)

Tube length: 30m (98ft)

IN 230Vac, consumption 600W max

Max operating temperature: 60°C (140°F)

IP45

Supplied with instruction manual and antifreezing liquid

BOARD FOR REMOTE CONTROL OF WIPER AND WASHER PUMP

2 functions: WIPER, WASHER

32 selectable addresses through Dip Switch

Serial input RS485

LED for stand-by

LED receiving commands

Dimensions: 43x56x13mm

PART NUMBER

OHEGBB	Weatherproof junction box IP55
OHEGBPS1B	Wide range camera power supply IN 100-240Vac - OUT 12Vdc in weatherproof box, 1A
OHEGBPS2B	Camera power supply IN 230Vac - OUT 24Vac in weatherproof box, 400mA
VIP6A1	Wiper kit 230Vac
VIP6A2	Wiper kit 24Vac
VIP5WAS01	Tank 5l (1,3gal), 230Vac washer pump
VIP5WAS02	Tank 5l (1,3gal), 24Vac washer pump
VIP23WAS01	Tank 23l (6gal), 230Vac washer pump
VIP23WAS02	Tank 23l (6gal), 24Vac washer pump
VIP23WASA01	Tank 23l (6gal), 230Vac washer pump, high delivery up to 30m (98ft)
UPTWAS01C	Tank 23l (6gal), IN 230Vac washer pump (prearranged for DTWRX board)
UPTWAS02C	Tank 23l (6gal), IN 24Vac washer pump (prearranged for DTWRX board)
UPTWAS03C	Tank 23l (6gal), IN 120Vac washer pump (prearranged for DTWRX board)
UPTWASA01C	Tank 23l (6gal), IN 230Vac washer pump, high delivery up to 30m (98ft) (prearranged for DTWRX board)
UPTWASA03C	Tank 23l (6gal), IN 120Vac washer pump, high delivery up to 30m (98ft) (prearranged for DTWRX board)
DTWRX	Optional board for remote control of wiper and washer pump of the UPTWAS series
OWBIP2	Kit special gaskets (3xM16) to allow protection IP66/ IP67 for WBOVA2 and WCM4A2 brackets
OWBIP3	Sealing rings kit (1xM12 - 1xM16 - 1xM20) to allow IP66/ IP67 protection for WBOVA2 and WCM4A2 brackets

For the power supply and heater codes refer to the relevant housing technical data sheet.

SPARE PARTS

SPATER	Rubber wiper blade for VIP6A
OVIP6SPAHEG	Complete wiper blade for VIP6A

HOUSINGS ACCESSORIES

HOUSINGS AND ACCESSORIES CHART					
	HEP	HEA	HEK	HEM	HET
Sunshield *	OHEPS32A000	OHEAS26A000 OHEAS30A000	OHEKS26A000 OHEKS30A000	OHEMS26A000 OHEMS30A000	OHETS16A000 OHETS22A000
Heater 12Vdc/24Vac	OHEH05B	OHEH01B	OHEH01B	OHEH01B	OHEH01B
Heater 115/230Vac	OHEH06B	OHEH02	OHEH02B	OHEH02B	OHEH02B
Blower 12Vdc	OHEPVF1A	OHEAVF1A	OHEKVF1E	OHEMV1A	-
Blower 24Vac	OHEPVF2A	OHEAVF2A	OHEKVF2E	OHEMV2A	-
Blower 230Vac	OHEPVF3A	OHEAVF3A	-	-	-
Camera power supply 12Vdc	OHEPS24	OHEPS05	OHEPS10B	OHEPS05	-
Camera power supply 24Vac	OHEPS25	OHEPS06	OHEPS11B	OHEPS06	-
Weatherproof junction box IP55	OHEGGB	OHEGGB	OHEGGB	OHEGGB	OHEGGB
Power supply 12Vdc on junction box	OHEGBPS1B	OHEGBPS1B	OHEGBPS1B	OHEGBPS1B	OHEGBPS1B
Power supply 24Vac on junction box	OHEGBPS2B	OHEGBPS2B	OHEGBPS2B	OHEGBPS2B	OHEGBPS2B
Wiper 24Vac	-	-	-	-	-
Wiper 230Vac	-	-	-	-	-
Washer + reservoir, 24Vac	-	-	-	-	-
Washer + reservoir, 230Vac	-	-	-	-	-
Washer + reservoir, 24Vac only with DTWRX	-	-	-	-	-
Washer + reservoir, 230Vac only with DTWRX	-	-	-	-	-
Remote control board for wiper + washer of UPTWAS serie	-	-	-	-	-
Fan assisted heater 12Vdc	-	-	-	-	-
Fan assisted heater 24Vac	-	Pre-arranged	Pre-arranged	Pre-arranged	-
Fan assisted heater 230Vac	-	-	-	-	-
Alarm tamper switch	-	-	-	-	-

* Combine the sunshield according the housing code (Es: housing HEA26K1A000 combined to sunshield OHEAS26A000).

HOUSINGS AND ACCESSORIES CHART						
	HOV	VERSO COMPACT	VERSO	HGV	HEG	HEB
Sunshield *	OHOVS32A000	OHPVS36A000	OHPVS42A000	-	OHEGS37A000 OHEGS47A000	OHEBS26A000 OHEBS32A000
Heater 12Vdc/24Vac	OHEH27	OHEH27	OHEH27	-	OHEH025B	OHEH01B
Heater 115/230Vac	OHEH26	OHEH26	OHEH26	-	OHEH024B	OHEH02B
Blower 12Vdc	-	-	-	-	-	OHEBVFV1
Blower 24Vac	-	-	-	-	-	OHEBVF2
Blower 230Vac	-	-	OHPVCF3	-	-	OHEBVF3
Camera power supply 12Vdc	OHOVPS1B	OHEPS19B	OHEPS19B	-	OHEPS19B	OHEPS01B
Camera power supply 24Vac	OHOVPS2B	OHEPS20	OHEPS20	-	OHEPS20	OHEPS02B
Weatherproof junction box IP55	OHEGGB	OHEGGB	OHEGGB	OHEGGB	OHEGGB	OHEGGB
Power supply 12Vdc on junction box	OHEGBPS1B	OHEGBPS1B	OHEGBPS1B	-	OHEGBPS1B	OHEGBPS1B
Power supply 24Vac on junction box	OHEGBPS2B	OHEGBPS2B	OHEGBPS2B	-	OHEGBPS2B	OHEGBPS2B
Wiper 24Vac	Pre-arranged	-	-	Pre-arranged	VIP6A2	-
Wiper 230Vac	Pre-arranged	-	-	Pre-arranged	VIP6A1	-
Washer + reservoir, 24Vac	VIP5WAS02 VIP23WAS02	-	-	VIP5WAS02 VIP23WAS02	VIP5WAS02 VIP23WAS02	-
Washer + reservoir, 230Vac	VIP5WAS01 VIP23WAS01 VIP23WASA01	-	-	VIP5WAS01 VIP23WAS01 VIP23WASA01	VIP5WAS01 VIP23WAS01 VIP23WASA01	-
Washer + reservoir, 24Vac only with DTWRX	UPTWAS02C	-	-	UPTWAS02C	UPTWAS02C	-
Washer + reservoir, 230Vac only with DTWRX	UPTWAS01C UPTWASA01C	-	-	UPTWAS01C UPTWASA01C	UPTWAS01C UPTWASA01C	-
Remote control board for wiper + washer of UPTWAS serie	DTWRX	-	-	DTWRX	DTWRX	-
Fan assisted heater 12Vdc	OHOVV1	-	-	-	-	-
Fan assisted heater 24Vac	OHOVV2	OHPVV2	OHPVV2	-	-	Pre-arranged
Fan assisted heater 230Vac	OHOVV3	OHPVV3	OHPVV3	-	-	-
Alarm tamper switch	OHOVTA1	-	OHPVTA1	-	-	-

* Combine the sunshield according the housing code (Es: housing HEA26K1A000 combined to sunshield OHEAS26A000).

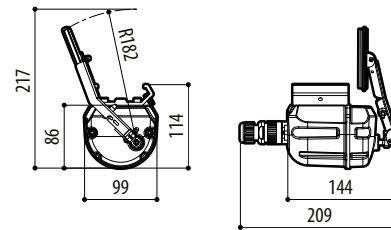
HOUSINGS ACCESSORIES

HOUSING AND ACCESSORIES FEATURES											
	HOV	VERSO	VERSO COMPACT	HGV	HEG	HEP	HEK	HEA	HEB	HEM	HET
Useful internal area WxH (mm / in)	100x70 / 3.9x2.7	70x70 / 2.7x2.7	63x63 / 2.5x2.5	200x169 / 7.9x6.7	140x90 / 5.5x3.5	90x80 / 3.5x3.1	82x62 / 3.2x2.4	84x70 / 3.3x2.7	90x85 / 3.5x3.3	70x65 / 2.7x2.6	62x55 / 2.4x2.2
Useful length (mm / in)	250 / 9.8	270 / 10.6	210 / 8.3	519 / 20.4	365 / 14.4 450 / 17.7	260 / 10.2 320 / 12.6	260 / 10.2 320 / 12.6	260 / 10.2 300 / 11.8	260 / 10.2 320 / 12.6	260 / 10.2 300 / 11.8	160 / 6.3 220 / 8.7
IP rating	IP66 / IP67 *	IP66 / IP67 *	IP66 / IP67 *	IP66 / IP67 *	IP66 / IP67	IP66 / IP67	IP66 / IP67 *	IP66 / IP67	IP66 / IP67 *	IP66 / IP67	IP66 / IP67
Cable glands	3xM16	3xM16	2xM16	4xM16	3xM16	2xPG9	3xM16	2xM16	3xM16	2xM16	1xPG9 1xPG11
Accessories											
Sunshield	•	•	•	•	•	•	•	•	•	•	•
Heater 20W, 12Vdc/24Vac	•	•	•		•	•	•	•	•	•	•
Heater 40W, 115/230Vac	•	•	•		•	•	•	•	•	•	•
Blower 12Vdc	•	•			•	•	•	•	•	•	
Blower 24Vac	•	•			•	•	•	•	•	•	
Blower 230Vac	•	•			•	•		•	•		
Internal camera power supply 12Vdc OUT	100÷240Vac IN 1A max	100÷240Vac IN 1A max	100÷240Vac IN 1A max	100÷240Vac IN 1A max **	100÷240Vac IN 1A max	230Vac IN 400mA max	100÷240Vac IN 1A max	230Vac IN 400mA max	100÷240Vac IN 1A max	230Vac IN 400mA max	230Vac IN 400mA max
Internal camera power supply 24Vac OUT	230Vac IN 400mA max	230Vac IN 400mA max	230Vac IN 400mA max		230Vac IN 400mA max	230Vac IN 400mA max	230Vac IN 400mA max	230Vac IN 400mA max	230Vac IN 400mA max	230Vac IN 400mA max	230Vac IN 400mA max
Weatherproof junction box	•	•	•		•	•	•	•	•	•	•
Camera power supply 12Vdc OUT in weatherproof junction box	100÷240Vac IN 1A max	100÷240Vac IN 1A max	100÷240Vac IN 1A max		100÷240Vac IN 1A max	100÷240Vac IN 1A max	100÷240Vac IN 1A max	100÷240Vac IN 1A max	100÷240Vac IN 1A max	100÷240Vac IN 1A max	100÷240Vac IN 1A max
Camera power supply 24Vac OUT in weatherproof junction box	230Vac IN 400mA max	230Vac IN 400mA max	230Vac IN 400mA max		230Vac IN 400mA max	230Vac IN 400mA max	230Vac IN 400mA max	230Vac IN 400mA max	230Vac IN 400mA max	230Vac IN 400mA max	230Vac IN 400mA max
Double heating 80W, 115/230Vac					•	•					
Triple fan assisted heater 80W, 24Vac				•							
Triple fan assisted heater 120W, 115/230Vac											
Triple fan assisted heater 150W, 115/230Vac				•	•						
Wiper 24Vac	• **			• **	•						
Wiper 230Vac	• **			• **	•						
Washer pump with tank 24Vac	•			•	•						
Washer pump with tank 230Vac	•			•	•						
Fan assisted heater 12Vdc	•	•	•								
Fan assisted heater 24Vac	•	•	•				•	•		•	
Fan assisted heater 230Vac	•	•	•								
Wiper/Washer control	•				•						
Tamper switch	•	•									

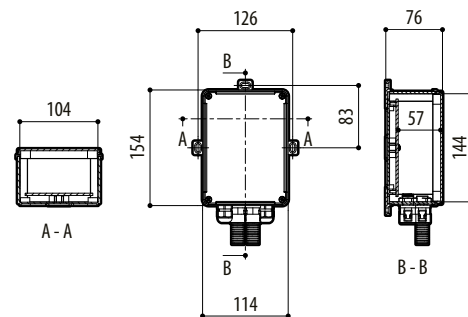
* + Cable glands.

** Built-in.

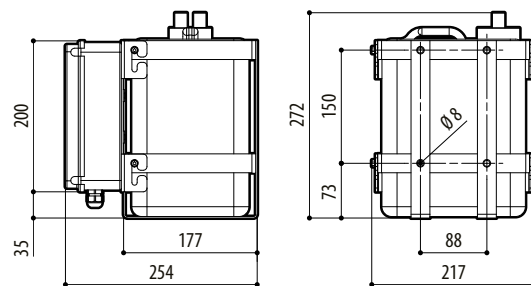
VIP6A



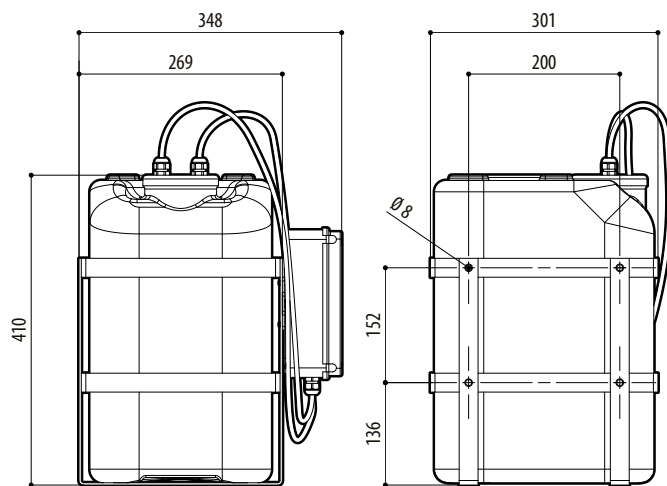
OHEGBB



VIP5WAS

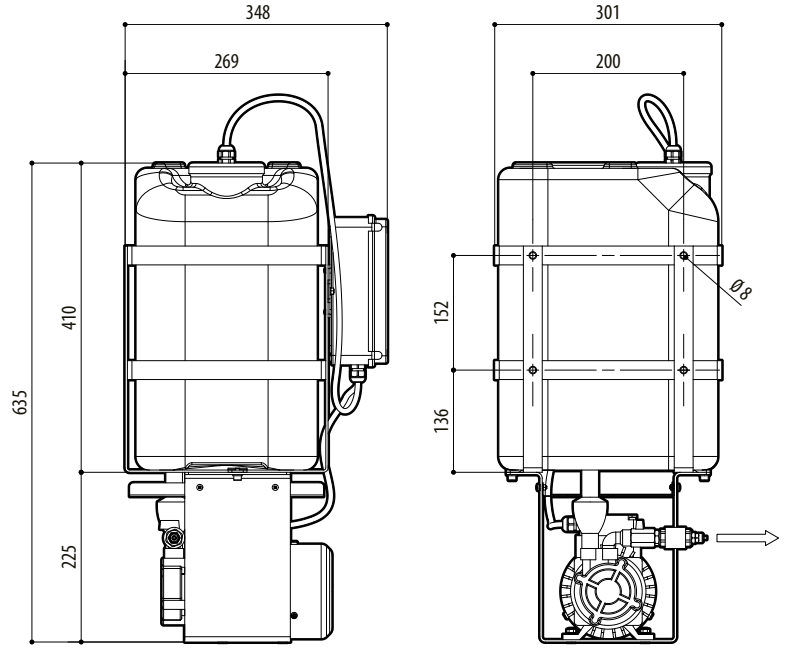


VIP23WAS01



mm 1:10

HOUSINGS ACCESSORIES



VIP23WASA01

mm 1:10