

- For indoor and outdoor installation
- Built in aluminium and epoxy powder painted
- Wide range of accessories
- Weatherproof Standard IP66

HEP32K

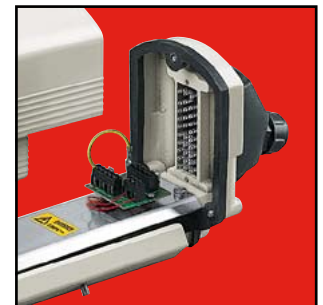


Weatherproof housing for outdoor installations. Its internal dimensions make it suitable for 1/2", 1/3" and 1/4" CCD cameras equipped with a wide range of lenses.

It consists of an extruded aluminium body, die-cast aluminium end cover plates, and thermo-shaped rubber end-gaskets. It is equipped with sunshield and two PG9 cable glands with their relative EPDM-rubber gaskets.

Instead of regular cable glands, the housing can be also equipped with connectors. This allows easy on-site replacement and installation on Pan & Tilt heads. The installation and adjustment of the camera are made easier due to the ability to remove the body, leaving the internal slide in work position for easy operation.

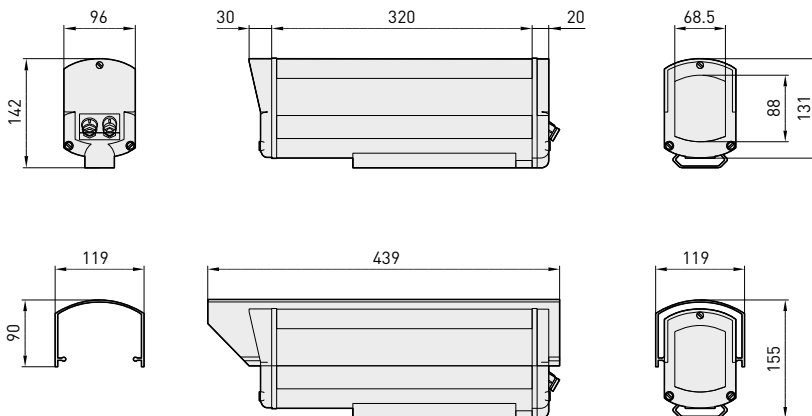
A wide range of accessories is available, including sunshield, heater kit (normal or reinforced for temperatures below -20°C), blower kit, camera power supply and weatherproof junction box.



Mod. 032



Mod. 038



The values are in millimeters.

### TECHNICAL DATA

Model	Sunshield	Heater 115/230V AC	Heater 12V DC/24V AC	30 poles connector	3+1 poles connector and 1 BNC	Double heater 115/230V AC	Max consumption
HEP32D0A000							
HEP32K1A000	•	•					40W
HEP32K1A032	•	•		•			40W
HEP32K1A038	•	•			•		40W
HEP32K1A074	•					•	80W
HEP32K2A000	•		•				20W
HEP32K2A032	•		•	•			20W
HEP32K2A038	•		•		•		20W

#### GENERAL

Die-cast aluminium back and front cover plates  
 Extruded aluminium body and external slide  
 Epoxypolyester powder painted colour RAL9002  
 Stainless steel external screws  
 Supplied with instruction manual, desiccant bag, accessories for camera and lens mounting

#### MECHANICAL

2 cable glands: 2xPG9  
 Glass window (BxH): 68.5x88mm (2.7x3.4in)  
 Internal usable area (BxH): 90x80mm (3.5x3.1in)  
**Internal usable length without accessories**  
 HEP32 320mm (12.6in)  
**Internal usable length with heater and/or blower**  
 HEP32 250mm (9.8in)  
**Internal usable length with heater and/or power supply**  
 HEP32 230mm (9.0in)

#### ELECTRICAL

**Heater Ton 15°C+/-3°C (59°F +/-5°F) Toff 22°C+/-3°C (71°F +/-5°F)**  
 - IN 12V DC/24V AC, consumption 20W max  
 - IN 115/230V AC, consumption 40W max  
 - IN 115/230V AC, double heater, consumption 80W max

#### Blower kit with thermostat air filter, Ton 35°C+/-3°C (95°F+/-5°F) Toff 20°C+/-3°C (71°F+/-5°F) and back cover

- IN 12V DC, consumption 4W max
- IN 24V AC, consumption 4W max
- IN 230V AC, consumption 4W max

#### Camera power supply

- IN 230V AC - OUT 12V DC, 50Hz, 400mA
- IN 230V AC - OUT 24V AC, 50Hz, 400mA

#### ACCESSORIES

OHEPS32A000	Sunshield
OHEH05	Heater 12V DC/24V AC
OHEH06	Heater 115/230V AC
OHEPVF1A	Blower kit with thermostat air filter IN 12V DC
OHEPVF2A	Blower kit with thermostat air filter IN 24V AC
OHEPVF3A	Blower kit with thermostat air filter IN 230V AC
OHEPS01	Camera power supply IN 100-240V AC - OUT 12V DC
OHEPS02	Camera power supply IN 230V AC - OUT 24V AC
OHEGBB	Weatherproof junction box IP55

#### RELATED PRODUCTS

WBJA	Wall bracket with ball joint
WCM3A	Ceiling bracket with ball joint
WCM5A	Ceiling bracket with ball joint
WFWCA	Column mount with ball joint
PTH300	Pan&Tilt series
PTH900	Pan&Tilt series.

#### ENVIRONMENT

Indoor / Outdoor  
 Operating temperature with heater: -20°C / +50°C (-4°F / +122°F)  
 Operating temperature with double heater: -40°C / +50°C (-40°F / +122°F)  
 Resistant to the salt-air fog until 1000 hours (according to ISO9227)

#### COMPLIANCE TO

CE according to EN61000-6-3, EN 60065, EN50130-4  
 IP66 according to EN 60529 with cable glands  
 IP54 according to EN 60529 for model 038

#### SPARE PARTS LIST

DOTHE01	Spacers for camera and lens
OHEPMAN	Cable glands, gaskets and screws
OHEPFA04	Front cover with screws and gaskets
OHEPFP04	Back cover with cable glands screws and gaskets



**Unit Weight:**  
HEP32K1 2.8kg / 6.1lb

**Package Weight:**  
HEP32K1 3kg / 6.6lb

**Package Dimension (BxHxL):**  
HEP32K1 16.5x15.5x49cm / 6.4x6.1x19.3in

**Master Carton:**  
HEP32K1 10 units