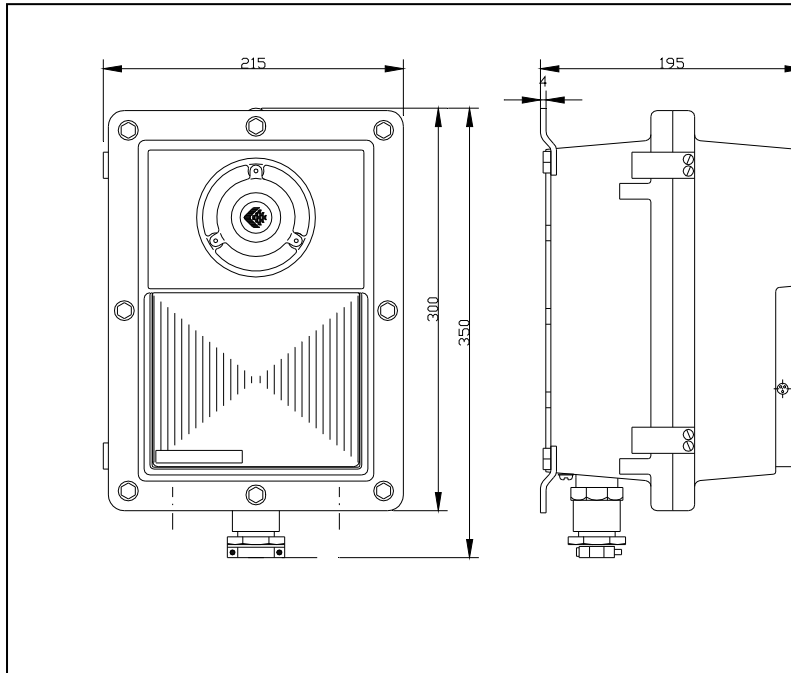


All screws are stainless-steel only



Explosion-proof EEx d IIB T6 – ATEX II2GD
for wall mounting, aluminium light-alloy body
P/N SGV –214-A6CA

Electrical Characteristics:

power-supply: 48-24 Vdc or 230 Vac
consumption: 15W – 15VA
Flashing unit: Xenon lamp 15 Joules
Acoustic unit: 110 dB at 1 m.
Telephone interface: electronic relay circuit
Telephone ringing voltage: 30 to 100 Vac – 25-50 Hz
Impedance on the t1ph line: > 7 K ohms
Output Level: adjustable by internal trimmer
Output tone: low/high, continuous/blinking
Special functions: working also during pauses between rings

Mechanical characteristics:

Explosion-proof degree: EEx d IIB T6
IP-rating: 66
Painting: epoxy for outdoor using

Material / Color:.....Aluminum Light-alloy / RAL2003
Mounting:on wall
Termination:Inside screw connections
Dimensions:215 X 350 X 195 mm
Weight:9,0 kg
IP-rating:66
EEx protection:ATEX II2GD (EEx d IIB T6)
Max. / min. amb. Temp:-40 °C / + 60°C
Cables inlets:nr. 3 threaded holes
(2 cableglands for cable ϕ 5 – 8 mm + 1 plug)
Opening:8 screws and pivoting front door for easy access

Available Versions:

SGV214A6CA/CC :Power supply 230VAC or 24-48
SGV214A6CA8 : Power Supply 230VAC

Installation, Operation and Maintenance Procedures

- This is a EEx equipment: it should be installed by skilled personnel only (danger of explosion)
- Open the pivoting front panel removing the eight screws
- Pass the cables through the cableglands being sure that the cable fit with the rubber gasket.
- Connect the telephone wires and the power-supply 220 Vac at the screw terminals
- Adjust the output trimmer and select the proper tone combination (see owner's manual)
- If you want to supply it at 24/48 Vdc follows the setting instruction on the owner's manual
- Close the front panel in conformity to the safety rules for classified areas
- For optimum performance, always use the correct voltage 48 Vdc/24Vdc or 220 Vac +/- 10%



This equipment is supplied with a 2 year warranty against defective workmanship

TELEPHONE LE LAS reserves the right to alter specifications without notice.