

## Targeted illumination in Class I, Division 2 applications

The LED Tasklight delivers up to 60,000 hours of white light in a corrosion resistant and watertight package, offering years of maintenance-free operation. This compact fixture delivers light output similar to many lower wattage HID fixtures at a fraction of the energy, resulting in reduced operating costs.

### Applications:

- Tanks
- Instrument panels
- Switchracks
- Storage areas
- Motors/generators
- Pathways
- Security areas

### Features & Benefits:

- LED technology improves system performance and lowers costs over the life of the luminaire
- Up to 60,000 hours of bright LED white light for areas that require constant illumination; maintains 70% lumen output through luminaire life
- Low power consumption < 50W
- Instant illumination and re-strike for improved safety and productivity
- Crisp, white light improves visibility of signs, instrument panels, and equipment
- Cold temperature operation with no warm-up required for increased safety
- Extremely durable and vibration resistant for demanding environments
- Environmentally friendly - contains no hazardous substance such as mercury



### Certifications & Compliances:

Certified by ETL to the following standards:

- UL844, UL1598A
- Class I, Division 2, Groups A, B, C, D
- CSA C22.2 No. 137
- Marine and wet locations
- Enclosure Type 3, 3R, 4, 4X; IP66

### Ordering Information:

Catalog Number	Lumen Maintenance	Watts	Input Voltage/ Input Current 50/60 Hz	Power Factor	Light Output	Temperature Performance	Operating Temp. Range
TX2LW/120 240	70% at 60k hrs	46	120 / 0.4 A 240 / 0.2 A	> 0.9	3267 Lm	T4A at 55°C	-40°C to 55°C* -25°C to 55°C

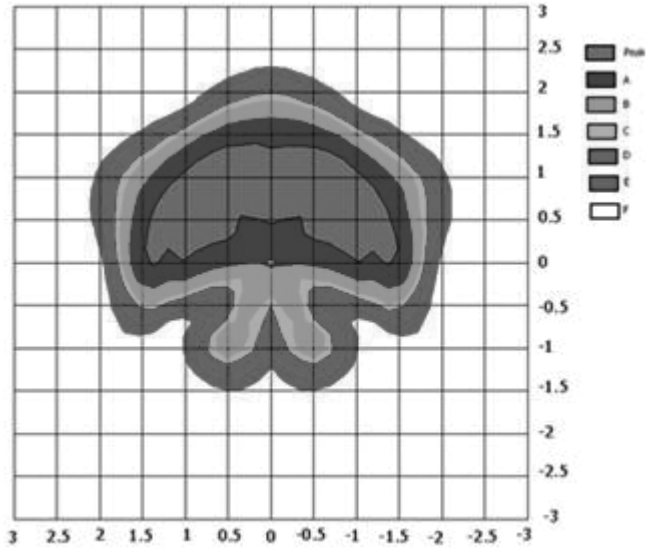
\* UL test range.

**Targeted illumination in Class I,  
 Division 2 applications**

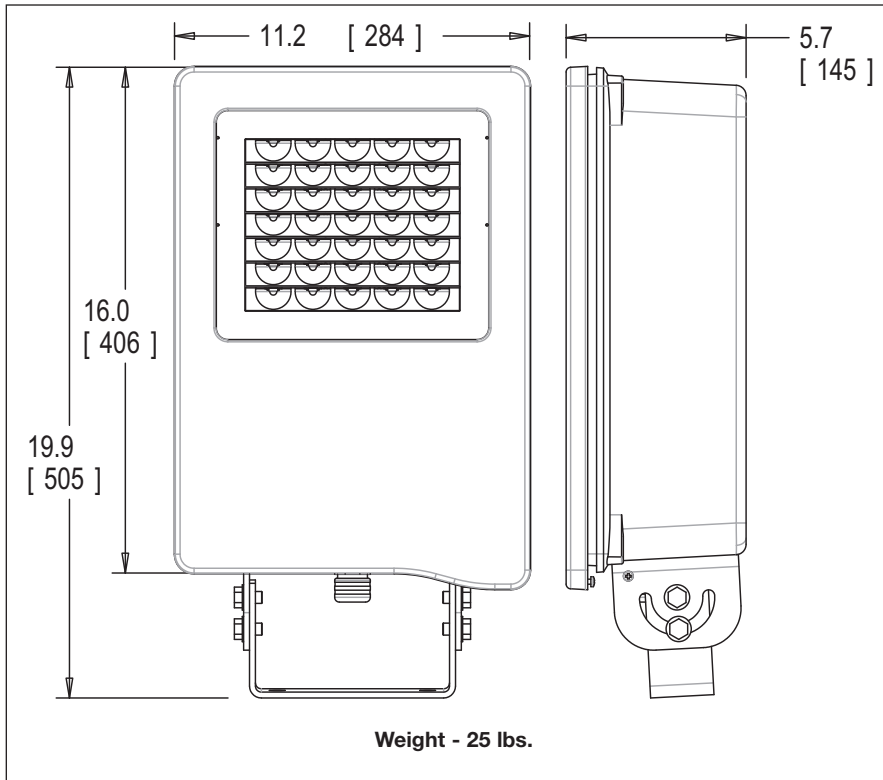
**Photometric Data:**

**Footcandle Values for Isofootcandle Lines**

Mounting Height (ft)	Peak	A	B	C	D	E
4	88.00	60.00	40.00	32.00	20.00	12.00
8	22.00	15.00	10.00	8.00	5.00	3.00
12	9.78	6.67	4.44	3.56	2.22	1.33
16	5.50	3.75	2.50	2.00	1.25	0.75
20	3.52	2.40	1.60	1.28	0.80	0.48
25	2.25	1.54	1.02	0.82	0.51	0.31
30	1.56	1.07	0.71	0.57	0.36	0.21
35	1.15	0.78	0.52	0.42	0.26	0.16



**Dimensions and Weights:**



2L