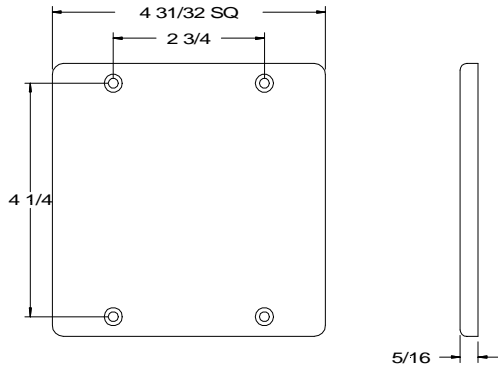
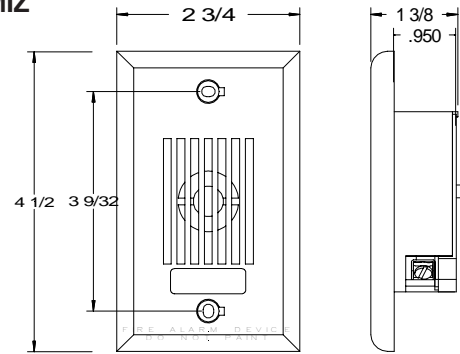


# Product Dimensions

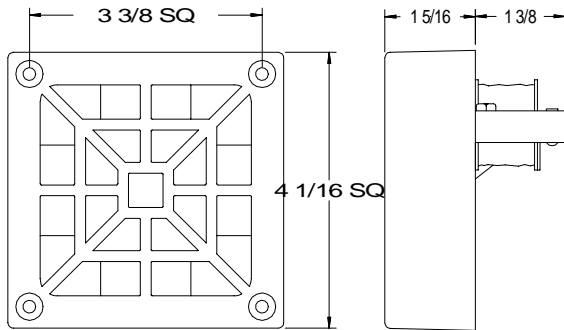
## SERIES SM/DSM



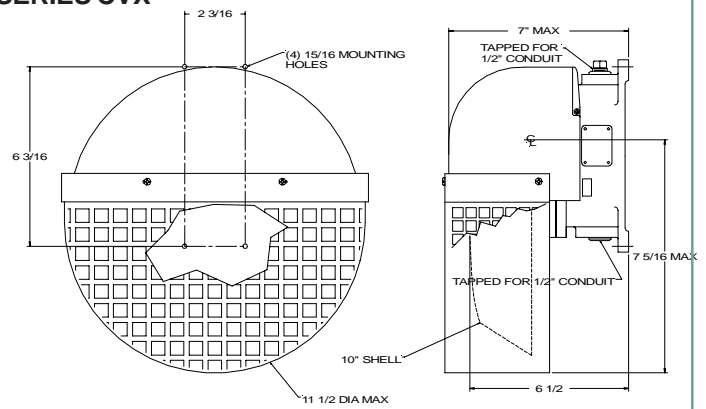
## SERIES MIZ



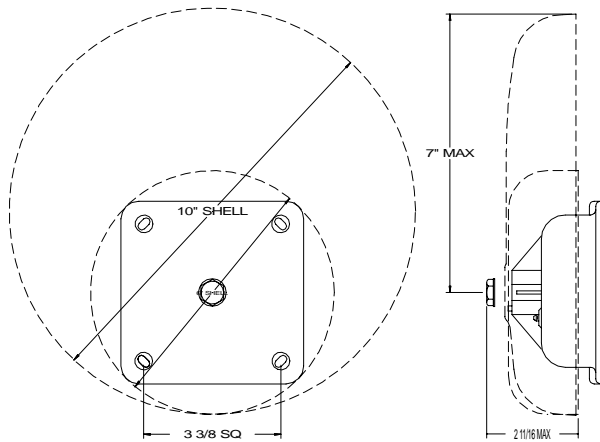
## SERIES 31T



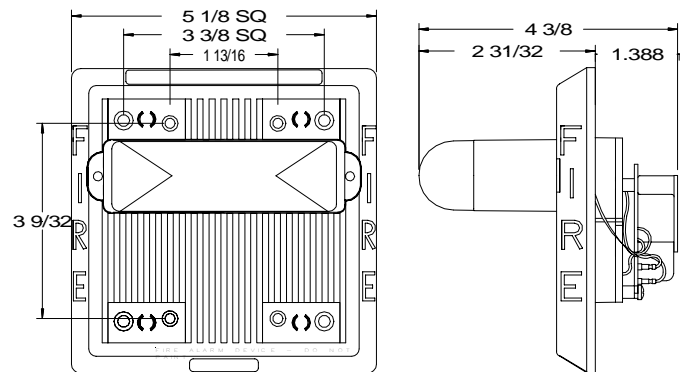
## SERIES CVX



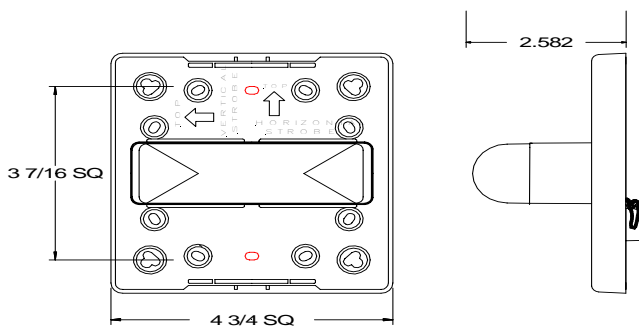
## SERIES MB & 43T BELLS



## SERIES AMT, HS4, MT



## SERIES RSS



## SERIES NS, NH

