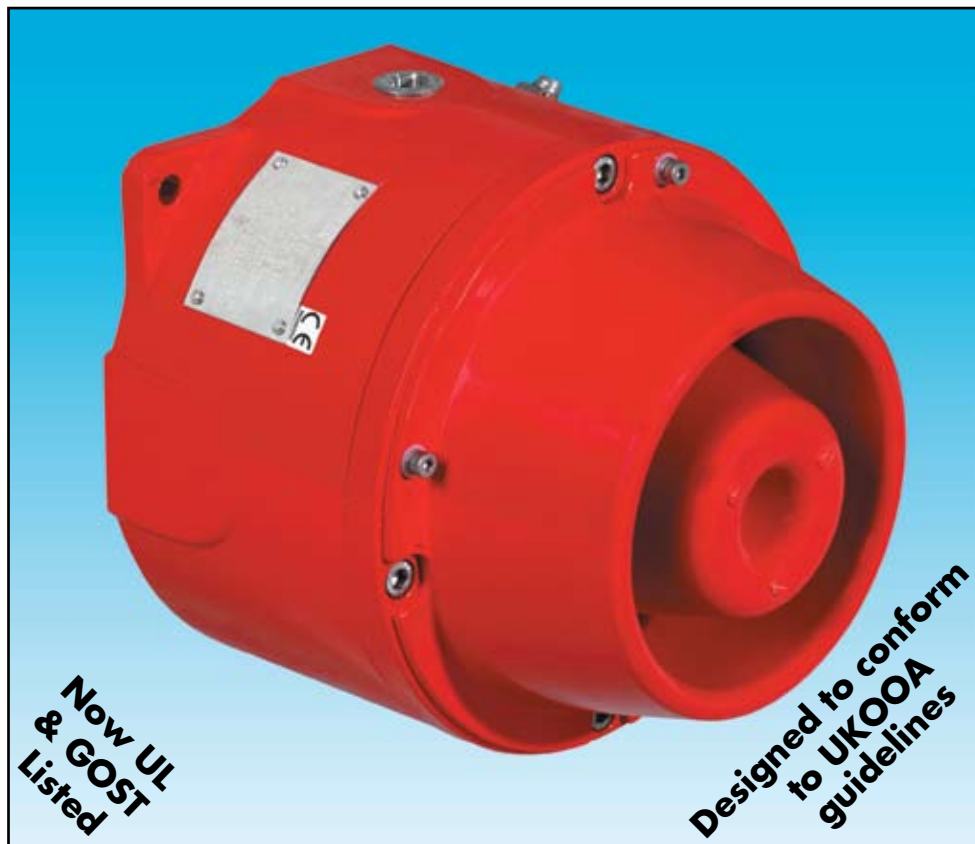


SOUNDERS – Up to 113 dB(A) EExd, Weatherproof DB1 Range



Introduction

This range of light weight, flameproof Sounders has been designed with a high weatherproof rating to cope with the harsh environmental conditions found offshore and onshore in the oil, gas and petrochemical industries.

New electronic circuitry allows the DB1P and DB1HP to be switched between two selectable tones by either reversing the supply polarity, or connecting a second voltage supply.

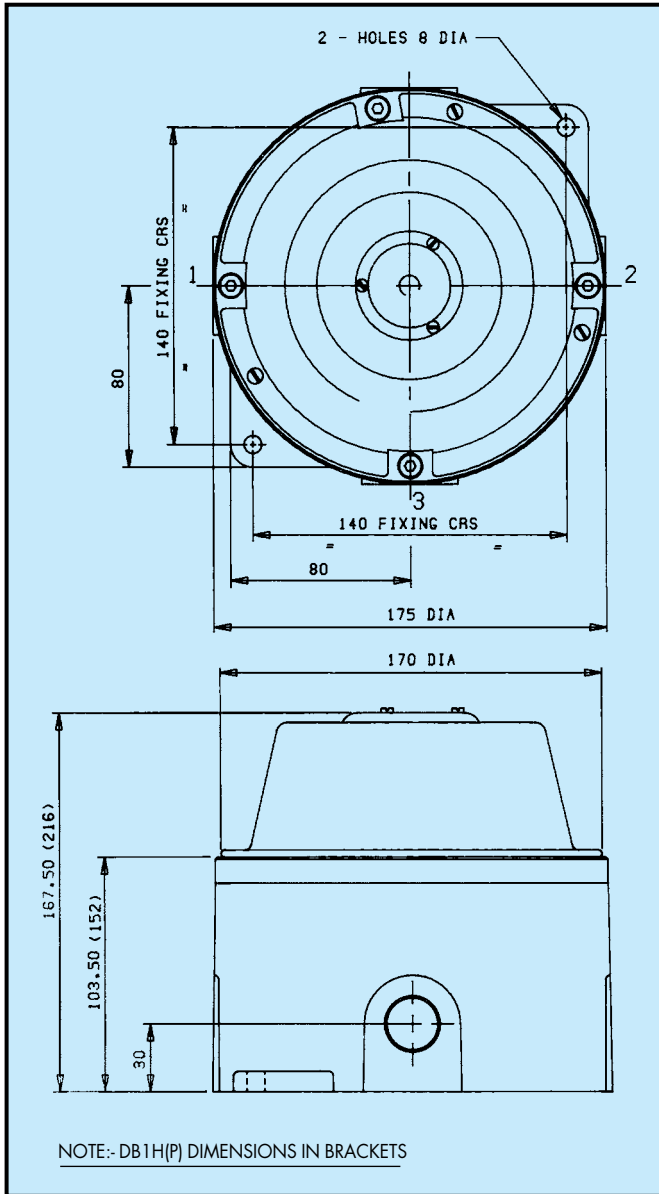
The higher output DB1H and DB1HP are particularly suitable for noisy environments.

- ★ Zone 1 and Zone 2 use.
- ★ EExd, IIB T3.
- ★ ATEX approved, Ex II 2G.
- ★ CENELEC approved, BASEEFA certified.
- ★ UL Listed – Class I, Div 1. Groups C & D.
- ★ GOST 'R' certified.
- ★ Australian (SAA) certified.
- ★ Brazilian (Inmetro) certified.
- ★ IP66.
- ★ Certified temperature -20°C to $+70^{\circ}\text{C}$.
- ★ Up to 113 dBA output.
- ★ Available in marine grade alloy or stainless steel.
- ★ 6 or 27 output tones, user selectable.
- ★ Telephone initiate option.
- ★ Tones can be selected remotely.
- ★ Tones comply with UKOOA/PFEER guidelines.
- ★ Any two tones may be switched via the external voltage supply.
- ★ End of line resistor option.

Tucano Comércio de Alarmes e Sistemas Eletrônicos
End: Rua Des Antonio de Paula 3577 - Boqueirão
Fone/Fax:(41) 3286-2867 - Curitiba - Paraná
tucano@tucanobrasil.com.br
www.tucanobrasil.com.br

Specification

Certification:	EN50014, 18. Certificate Nos: Baseefa 02ATEX0207 EExd IIB T3 for DB1(P) and Baseefa 02ATEX0209 EExd IIB T3 for DB1H(P). Zones 1 & 2. UL Listing: Class I, Div 1, Groups C & D. Listing No. E187688. Refer to UL data sheet at rear of catalogue for complete information. GOST 'R' Certification: 1Exd IIB T4 (DB1 & DB1P only). Brazilian (Inmetro) Certification: BR-Ex d IIB T3																		
Material:	LM25 corrosion resistant alloy or ANC4B stainless steel with stainless steel cover screws. ABS flare.																		
Finish:	Epoxy paint finish as standard or to customer's specification.																		
Max Sound Levels:	DB1(P)=103±3dB(A) (96±3dB(A) for 12V DB1). DB1H(P)=110 ± 3dB(A) @ 1 metre. Note: Sound level is dependent upon the tone selection.																		
Weight:	DB1(P) 3.5 Kg Alloy, 8.3 Kg stainless. DB1H(P) 5.6 Kg Alloy, 12.7 Kg stainless.																		
Certified Temperature:	ATEX/CENELEC -20°C to +55°C (DB1 & DB1P). ATEX/CENELEC -20°C to +70°C (DB1H & DB1HP). UL -25°C to +70°C.																		
Ingress Protection:	IP66.																		
Tone Selection:	Single Stage Unit ac. 27 user selectable tones including, PFEER/UKOOA tones. Two Stage Unit dc. Switchable between any two of the 27 tones by either: (i) Reversing the polarity of the supply, or (ii) by a 3 wire common +ve system, switching between the two -ve lines. Note: Reverse monitoring is achievable on Two Stage Version by selection of terminals.																		
Current Consumption:	<table border="1"> <thead> <tr> <th></th> <th>DB1(P)</th> <th>DB1H(P)</th> </tr> </thead> <tbody> <tr> <td>12V</td> <td>125mA</td> <td>900mA</td> </tr> <tr> <td>24V</td> <td>250mA</td> <td>700mA</td> </tr> <tr> <td>48V</td> <td>250mA</td> <td>-</td> </tr> <tr> <td>120V</td> <td>60mA</td> <td>200mA</td> </tr> <tr> <td>240V</td> <td>50mA</td> <td>100mA</td> </tr> </tbody> </table>		DB1(P)	DB1H(P)	12V	125mA	900mA	24V	250mA	700mA	48V	250mA	-	120V	60mA	200mA	240V	50mA	100mA
	DB1(P)	DB1H(P)																	
12V	125mA	900mA																	
24V	250mA	700mA																	
48V	250mA	-																	
120V	60mA	200mA																	
240V	50mA	100mA																	
Labels:	Duty and tag labels optional.																		
Entries:	Up to 3 x 25mm or 20mm ISO.																		
Terminals:	Suitable to accept up to 4mm ² cable.																		



Ordering Requirements

The following code is designed to help in the selection of the correct unit. Build up the reference number by inserting the code for each component into the appropriate box.

Unit Type	Certification	Material	Voltage	Cable Entries	Duty Labels	Tag Label	Features	Finish	
<input type="text"/>	<input type="text"/>	<input type="text"/>	<input type="text"/>	<input type="text"/>	<input type="text"/>	<input type="text"/>	<input type="text"/>	<input type="text"/>	
DB1P DB1HP									
Certification	Code	Voltage	Code	Entries	Code	Duty Labels	Code	Finish	Code
ATEX/CENELEC	B	12V d.c.	012	20mm	A	None	N	Red	R
UL (DB1P & DB1HP only)	UL	24V d.c.	024	25mm	B	Required	D	Grey	G
GOST 'R' (DB1 & DB1P only)	G	48V d.c. DB1(P) only	048	1/2" NPT (UL Only)	C	(Please specify)		Special	S
UL - Available Alloy only.		110V a.c.*	110	3/4" NPT (UL Only)	D				
-12V d.c., 24V d.c., 48V d.c.		240V a.c.*	240	LHS	1	Tag	Label	Features	Code
110V a.c. only.		* Two stage available in d.c. version only.		RHS	2	None	N	Not required	N
Inmetro	DM	Material	Code	Bottom	3	Required	T	Telephone Initiate	T
		Alloy	A	*Prefix position with entry size code				Relay Initiate	R
		Stainless	S	e.g. A1A3 = 20mm left and bottom entries.				Remote	S
		Steel	S					End of line resistor	E*
								(*State value.)	