

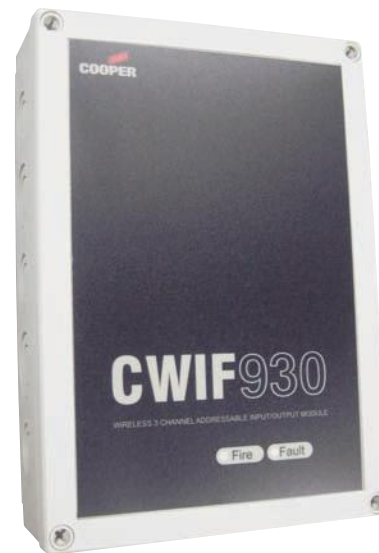
Input / Output Unit CWIF930

Batteries

While wireless control panels and boosters operate from a battery backed mains supply (which is designed to comply with the latest EN54 Part 4) the true economy and reliability of the wireless fire system is highly dependant on the cost and availability of the batteries used in the various field devices.

The CW9000 system incorporates a number of innovative design features that enables battery life in excess of 3 years, from readily available, across the counter, standard AA cells. Battery monitoring functions ensure that early warning of any low battery conditions is signalled and can therefore be co-ordinated with normal maintenance procedures.

Battery replacement is therefore both economic and simple.



CWIF930 input/output unit



Overview

The CWIF930 wireless input/output unit has been developed specifically to operate with the Cooper wireless fire system.

This 3 channel wireless input/output module provides the facility to monitor 3 independent inputs for fault and fire as well as providing the facility to operate 3 volt free contacts for operating devices such as magnetic door holders, in areas where the installation of system wiring is not an option.

This wireless module is assigned one address and this address is recognised by the Cooper wireless control panel.

The unit is fully monitored and controlled by the Cooper wireless control panel. It is fully programmable using the sophisticated and powerful Cooper cause and effect programming.

Both input and outputs are available from the same unit and may be operated

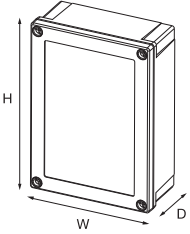
Features

- 3 x Standard AA batteries
- Long battery life
- Fully addressable
- Concealed antennas
- Long range up to 1km in free space
- Duplex technology (2 way communication)
- 3 Volt free outputs
- 3 monitored hard wired inputs

Benefits

- Eliminates cabling difficulties
- Minimise disruption
- Preserve aesthetics

Dimensions

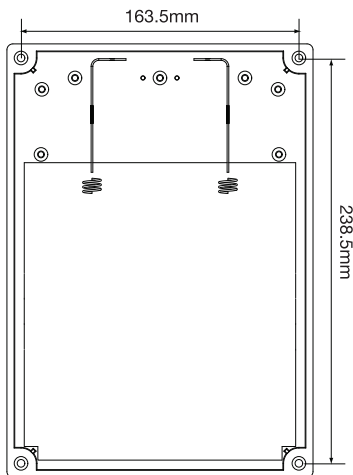


H (mm)	W (mm)	D (mm)
225	180	63

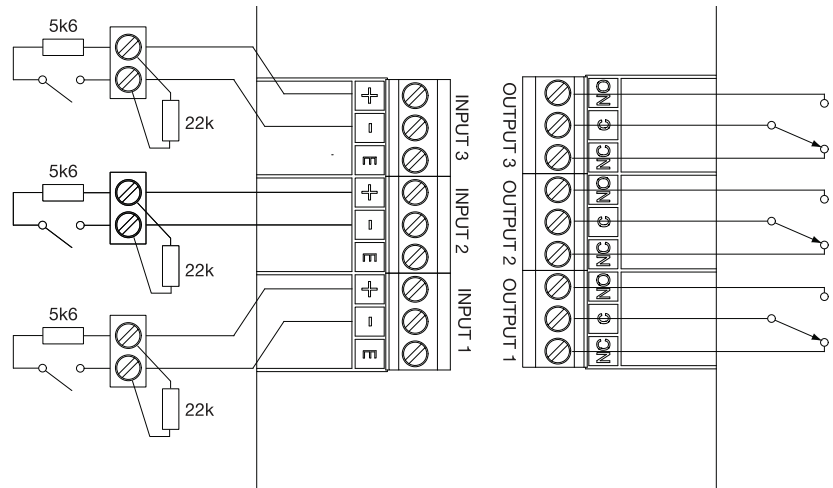
Technical Specification

Code	CWIF930
Description	Wireless input/output unit
Standards	EN45 Pt 25 components using wireless links EN45 Pt 18 & Pt 25, BS5839 Pt 1
Description	
Batteries	3 x AA Lithium (4.5 V) 3000 mAh (min)
Wireless Frequency	868.05 MHz - 869.95 MHz. uses alarm specific frequencies to cut other user interference (Can be programmed to other countries frequencies)
Number of Units per Panel	20 (max)
Wireless Range	> 1km in free space
Data Rate	4.8k bs (Manchester), 9.6k bs (Standard)
Frequency Agile	Yes
Inputs	
End of Line Resistor	22 K
Alarm	5K6
Outputs	
Switching Voltage	30 V dc
Contact Rating	1A
Switching Power	30 W
Environmental	
Operating Temperature	-10°C to +55°C
Humidity (Non Condensing)	95% RH
Physical	
Construction	PC
Dimensions (H x W x D)	225mm x 180mm x 63mm
Weight	0.9kg
Ingress Protection	IP21
Compatibility	
Suitable for use with	Intelligent addressable wireless fire systems

Fixing Centres



Standard Connection



Product Codes

Code	Description
CWIF930	Wireless input/output unit