

SOUNDERS – Up to 110 dB(A) Intrinsically Safe (EExia), Weatherproof DB7 Range



Introduction

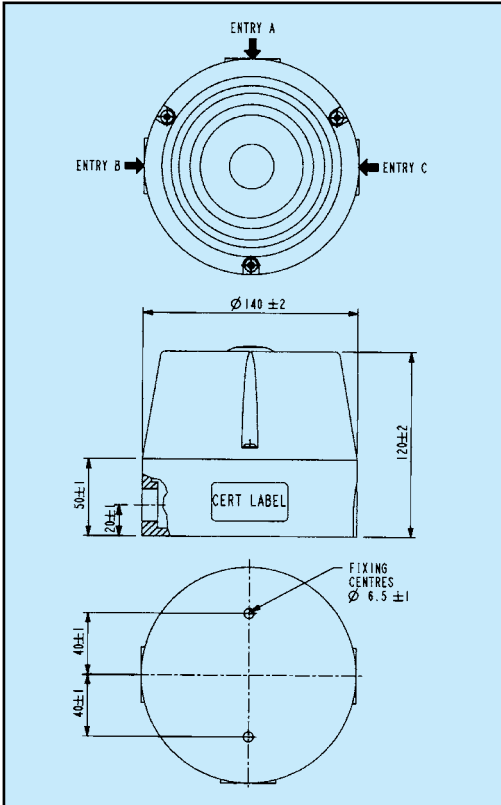
This range of ruggedised, intrinsically safe and weatherproof sounders, intended for use in potentially explosive atmospheres, has been designed with high ingress protection to cope with the harsh environmental conditions found offshore and onshore in the oil, gas and petrochemical industries.

The unit is available in 12V and 24V versions and for gas groups IIB or IIC.

A lower cost, uncertified version is available for use in non-explosive atmospheres.

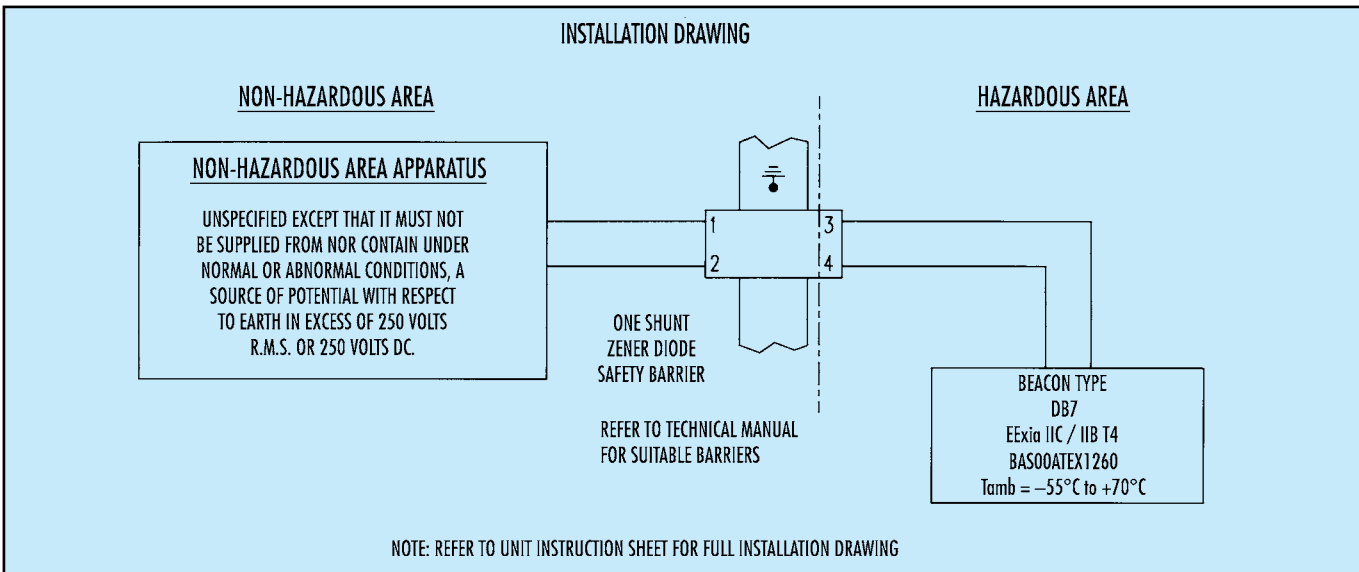
- ★ Zones 0, 1, 2 and safe area use.
- ★ EExia IIB/IIC T4.
- ★ ATEX approved Ex II 1G.
- ★ Weatherproof uncertified version.
- ★ BASEEFA certified.
- ★ GOST 'R' certified.
- ★ IP66 & IP67.
- ★ Certified temperature -55°C to $+70^{\circ}\text{C}$.
- ★ Corrosion resistant red painted GRP.
- ★ Up to 110 dB(A) output.
- ★ 27 tones, user selectable.
- ★ Tones comply with UKOOA/PFEER guidelines.
- ★ Any two tones may be switched by the external voltage supply.
- ★ Retained stainless steel cover screws.

Specification



Certification:	CENELEC EN 50014, 20 & 39. Certificate No. BAS00ATEX 1260 (apparatus). Certificate No. 96D2362 (system). EExia IIC T4 or EExia IIB T4. Zones 0, 1 & 2. GOST 'R' Certification: 0EExia IIC T4, 0EExia IIB T4.
Material:	UV stable glass reinforced polyester. Retained stainless steel cover screws.
Finish:	Painted red as standard or to customer's specification.
Sound Output:	107 ± 3 dB(A) at 1 metre for 12V and 24V IIB versions. 103 ± 3 dB(A) at 1 metre for 12V and 24V IIC versions. Typical value only – variable with tone.
Tone Selection:	Switchable between any two of the 27 tones by reversing the polarity of the supply.
Weight:	1.0 kg.
Certified Temperature:	-55°C to $+70^{\circ}\text{C}$.
Ingress Protection:	IP66 & IP67.
Voltage:	12V or 24V via suitable barrier.
Current Consumption:	24V models 34mA – 68mA. 12V models 25mA – 55mA.
Terminals:	8 x 2.5mm ² .
Labels:	Duty and tag labels available.
Cable Entries:	Up to 3 x M20 via knockouts.

INSTALLATION DRAWING



Ordering Requirements

The following code is designed to help in selection of the correct unit. Build up the reference number by inserting the code for each component into the appropriate box. **For standard products, available ex-stock, contact sales office for details.**

Unit Type	Certification	Voltage	Labels	Colour			
DB7P	<input type="text"/>	<input type="text"/>	<input type="text"/>	<input type="text"/>			
Certification	Code	Voltage	Code	Label	Code	Colour	Code
Uncertified	W	12V	012	Duty	D*	Painted Red	R
ATEX/CENELEC IIB	BB	24V	024	Tag	T*	Special	S*
ATEX/CENELEC IIC	BC			None	N		
GOST 'R' IIB	GB			*Please specify wording			
GOST 'R' IIC	GC						

*Please specify