

D7050-B6



EN | Installation Instructions
Smoke Detector Base



BOSCH

1.0 Overview

The D7050-B6 Smoke Detector Base is used with the D7050 Series Photoelectric Smoke Detectors. Install the D7050-B6 according to NFPA 72.

Before installing the D7050-B6, read and become familiar with these instructions and the following documents to ensure proper system operation:

- *D7050 Series Photoelectric Smoke Detectors Installation Instructions* (P/N: 47458)
- NFPA Standard 72 only contains the information necessary to mount and wire the base. More information is provided in the:
 - *Smoke Detector Technical Service Note* (P/N: 26715) for installation guidelines.
 - *D7050 Series Installation Instructions* (P/N: 47458) for information on power requirements, testing, and maintenance

2.0 Mounting

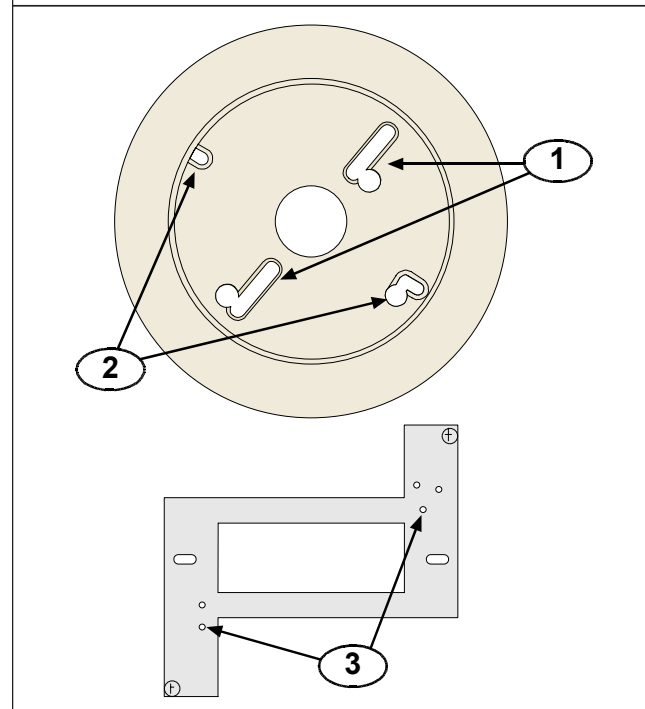
1. Select the mounting location according to the installation guidelines in the *Smoke Detector Technical Service Note* (P/N: 26715).
2. Pre-run all system wiring.
3. Mount the D7050-B6 using the two oblong mounting holes.
4. Tighten the D7050-B6 to the mounting surface using six 3/8 in. x 1 in. (9.5 cm x 2.5 cm) mounting screws (not provided).

If mounting the D7050-B6 to a 4 in. (10.2 cm) square box, use the adapter plate and:

- a. mount the adapter plate to the box,
- b. then, mount the D7050-B6 to the adapter plate and box using two of the oblong mounting holes.

Depending on the local regulations, you can mount the D7050-B6 using anchors, mollies, or wing nuts. You can also mount it directly to the 4 in. (10.2 cm) octagonal electrical box and single-gang switch box (Figure 1).

Figure 1: Mounting the D7050-B6



1 - Use these holes to mount the D7050-B6 to the adapter plate.

2 - Use these holes to mount the D7050-B6 to the octagon box.

3 - Use these holes to mount the D7050-B6 to the adapter plate. Use self-threading 6-32 x 1 in. screws (not supplied).



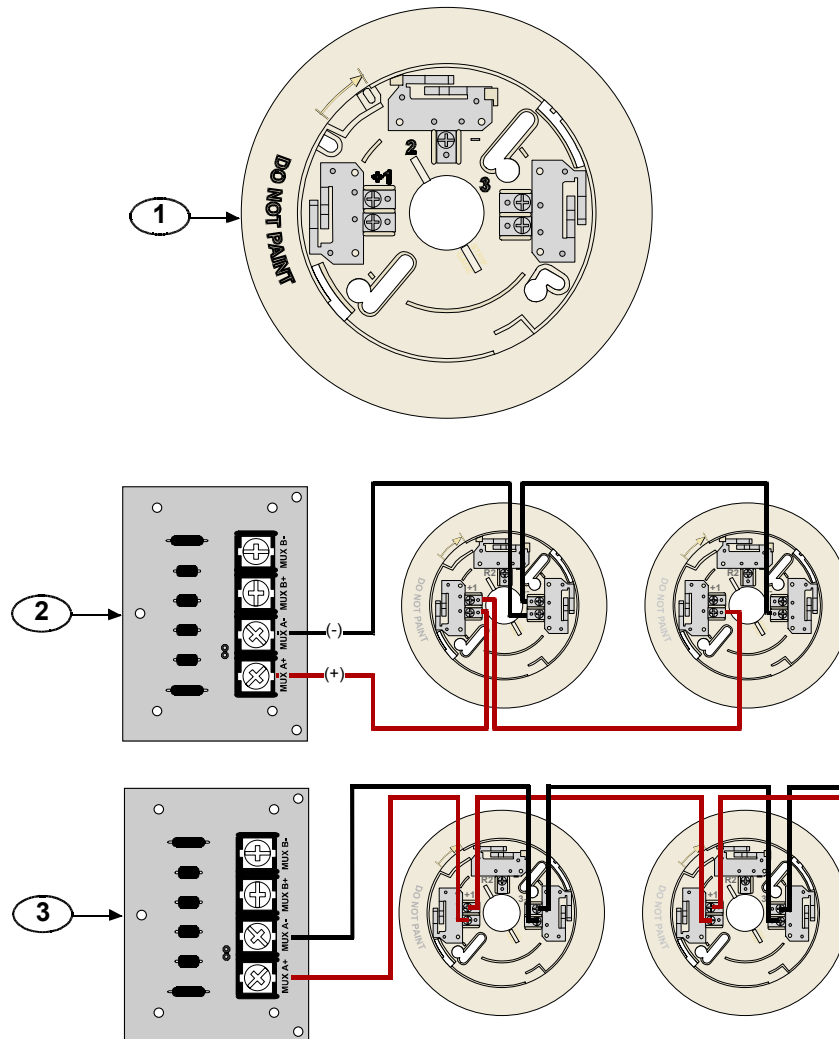
Use electrical boxes that can accommodate the numbers and sizes of conductors specified by the National Electrical Code (NEC) or the local Authority Having Jurisdiction (AHJ).

5. Review the wiring information in *Section 3.0 Wiring* on page 3.
6. Connect the wiring to the D7050-B6.

3.0 Wiring

You can wire the D7050-B6 in series or in a T-tap (*Figure 2*).

Figure 2: Wiring



1 - Baseplate

2 - Series connection

3 - T-tap connection



Both Terminal 1 and Terminal 3 have two screws. When wiring the base in a T-tap, use either screw.

1. Connect Terminal 1 to Mux bus +.
2. Use Terminal 2 as the remote terminal.
3. Connect Terminal 3 to Mus bus -.

Bosch Security Systems, Inc.
130 Perinton Parkway
Fairport, NY 14450-9199 USA
Customer Service: (800) 289-0096

© 2007 Bosch Security Systems, Inc.
F01U063155-01



BOSCH