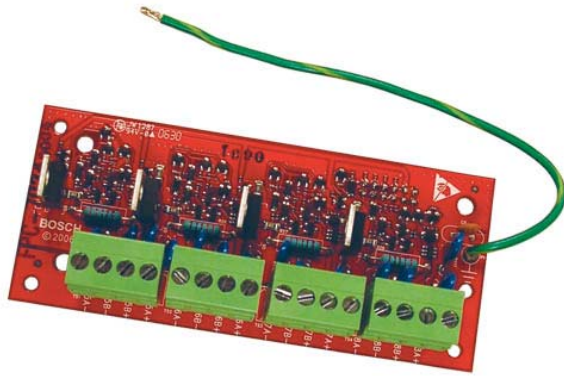


# FPC-7034



EN | Installation Guide  
Four Loop Expander

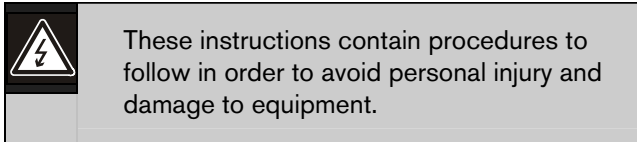


**BOSCH**

## 1.0 Notice

These instructions cover the installation of the Bosch Security Systems, Inc. FPC-7034 Four Loop Expander in a fire system supervised by a Bosch FPD-7024 Fire Alarm Control Panel (FACP).

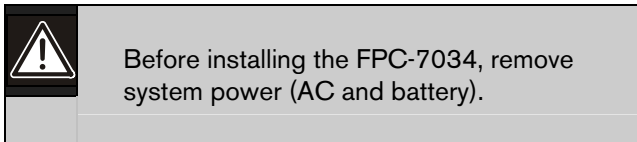
Install, test and maintain the FPC-7034 according to these instructions, NFPA 72, Local Codes and the Authority Having Jurisdiction. Failure to follow these instructions may result in failure of the detector to operate properly. Bosch is not responsible for improperly installed, tested or maintained devices.



## 2.0 Device Description

The FPC-7034 allows an FPD-7024 FACP to support four additional loops. The expander plugs into the control and provides four Class B, Style B or Class A, Style D loops that are identical in characteristics to the loops on the control panel.

## 3.0 Installing the FPC-7034



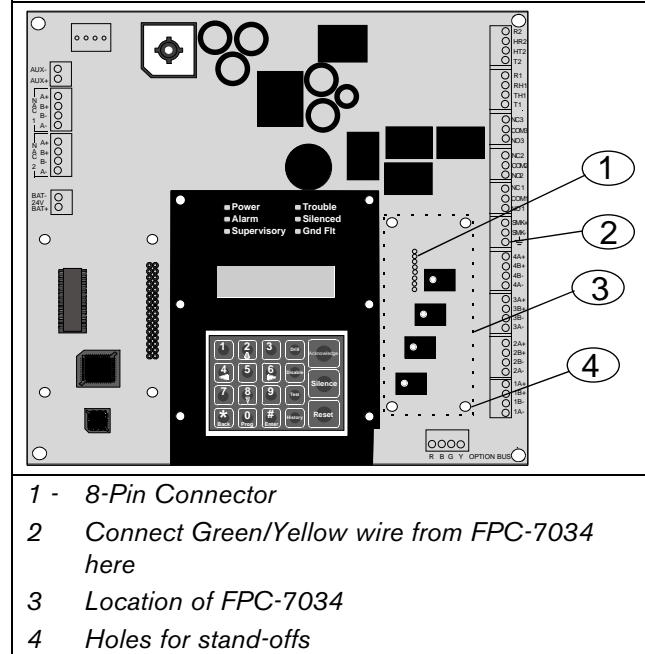
The FPC-7034 mounts on the FPD-7024 control board, just to the right of the keypad. Use the four nylon stand-offs supplied with the expander.

Use the following steps when connecting the FPC-7034 to an FPD-7024 control panel.

1. Install the four stand-offs into the four mounting holes on the control.
2. Align the connector on the bottom of the FPC-7034 with the eight pins extending from the control board. Carefully press the FPC-7034 into place.
3. Press each corner of the FPC-7034 until it is locked onto each nylon stand-off.
4. Connect the green/yellow wire of the FPC-7034 to the ground terminal ( $\perp$ ) on the control board.
5. When power is restored, the FPC-7034 is detected automatically and used by the system.

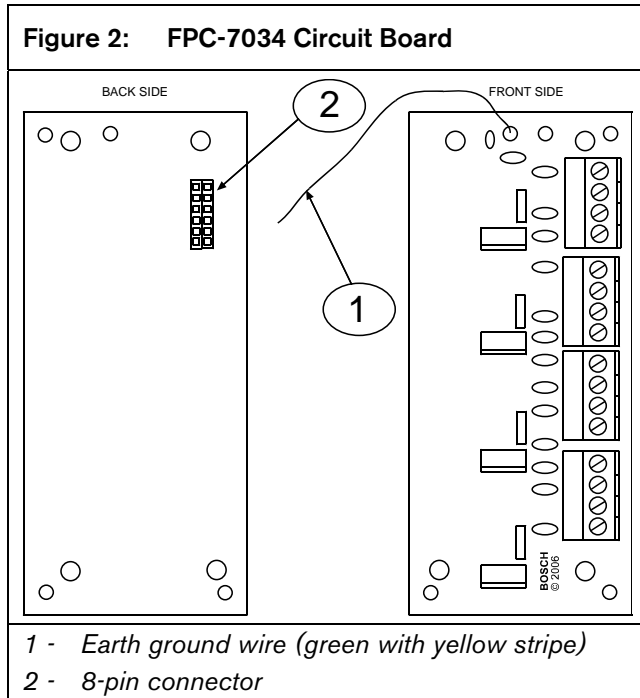
Refer to *Figure 1* below and *Figure 2* on page 3 for installation details.

**Figure 1: Installing the FPC-7034 on the FPD-7024 Control Board**



## 4.0 Wiring

The four loop inputs are wired the same as loop inputs on the control board. Four EOL resistors are provided with the FPC-7034 for installation at the end of each point wiring run.



## 5.0 FPC-7034 Specifications

**Table 1: FPD-7034 Power Requirements**

Per Initiation Circuit	
Alarm Current Threshold	> 25 mA
Trouble Current Threshold	< 7 mA
Normal Current	> 7 mA and < 25 mA
Total Detector Standby Loop Current	3 mA
Alarm Current (Short Circuit)	46 mA
Supply Voltage	18.0 VDC to 25.5 VDC
Per Module:	
Standby Current	60 mA
Alarm Current	184 mA

For additional specifications and device compatibility, refer to the *FPD-7024 Operation and Installation Guide* (P/N: F01U008458).

Bosch Security Systems, Inc.  
130 Perinton Parkway  
Fairport, NY 14450-9199 USA  
(800) 289-0096

© 2008 Bosch Security Systems  
F01U005542-01



**BOSCH**